

Transfer

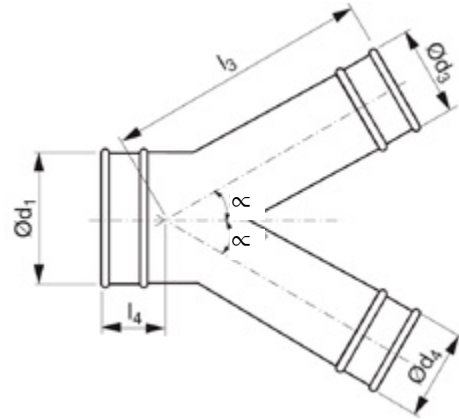
YVTR



Description

30° Y-piece

The adjacent table only contains a limited selection of 30° laterals where all dimensions d_1 , d_3 and d_4 are equal in size. Other dimensions are available upon request.



Dimensions

| $\text{Ø}d_1$ nom | $\text{Ø}d_3$ nom $\text{Ø}d_4$ nom | l_3 | l_4 |
|-------------------|--|-------|-------|
| in | in | in | in |
| 3 | 3 | 5.25 | 2.25 |
| 4 | 4 | 6.0 | 2.0 |
| 5 | 5 | 7.0 | 2.0 |
| 6 | 6 | 8.0 | 2.0 |
| 7 | 7 | 9.0 | 2.0 |
| 8 | 8 | 10.0 | 2.0 |
| 9 | 9 | 11.0 | 2.0 |
| 10 | 10 | 12.0 | 2.0 |
| 12 | 12 | 14.0 | 2.0 |
| 14 | 14 | 16.0 | 2.0 |
| 16 | 16 | 18.0 | 2.0 |
| 18 | 18 | 20.0 | 2.0 |
| 20 | 20 | 22.0 | 2.0 |

Order Example

