

Transfer

XVTR



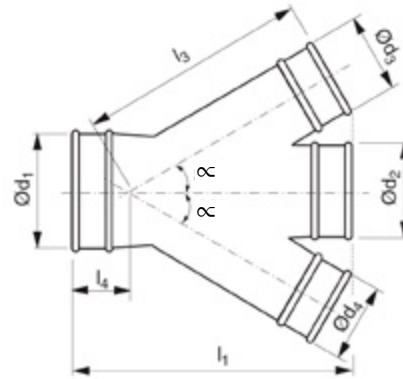
Description

30° crossing lateral tee.

The adjacent table only contains a limited selection of 30° laterals. Other dimensions are available upon request.

In all combinations, the installation length l_1 is only governed by the larger branch diameter d_3/d_4 . For example, all cross-pieces with $d_3 = 6"$ and $d_4 = 8"$ have installation length $l_1 = 24"$.

Note: Tap d_3 must be $\leq d_2$ in diameter.
Tap d_4 must be $\leq d_3$.



Dimensions

Ød ₁ nom	Ød ₂ nom	Ød ₃ nom Ød ₄ nom	l ₁	l ₃	l ₄
in	in	in	in	in	in
6	4	3	14	12.3	4.7
8	6	4	16	15.0	3.9
10	8	6	20	18.7	4.2
12	10	8	24	22.4	4.8
14	12	10	28	26.2	4.7
16	14	12	32	29.9	5.0
18	16	14	36	33.6	5.3
20	18	16	40	37.4	5.5

Order Example

