

# Elbows

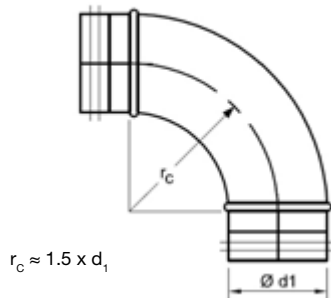
14



## Description

90° elbow

- die stamped
- continuous stitch welded
- rolled edges
- galvanized steel only
- available in diameters 3" - 12"
- note: 11" diameter is fabricated



## Order Example

Lindab Safe®  
BSU 90 - Ød1

Linx Nongasketed  
BS 90 - Ød1

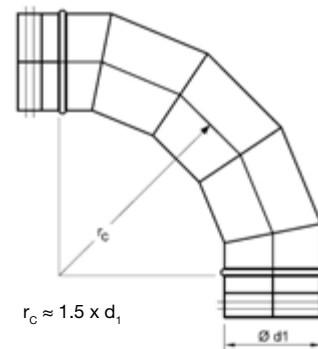
# BSU 90 / BSFU 90



## Description

90° elbow

- 5-piece gored, standing seam
- gore locked and internally sealed
- available in diameters 14" - 48"
- note: BSF/U 90 elbows 50-inch diameter and larger will be supplied as two BSF/U 45° elbows and an MF coupling



## Order Example

Lindab Safe®  
BSFU 90 - Ød1

Linx Nongasketed  
BSF 90 - Ød1